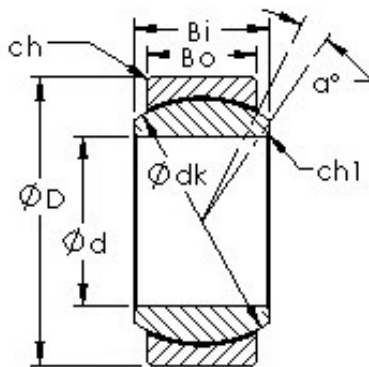




NTN-SNR RULMENTI S.R.L.



AST GE17C plain bearings

Bearing No. GE17C

Bore Diameter	17 mm
Outer Diameter	30 mm
Bearing Type	standard
Bore Dia (d)	17.0000
Outer Dia (D)	30.0000
Outer Width (Bo)	10.0000
Inner Width (Bi)	14.0000
Dynamic Load Rating (Cr)	22,000
Static Load Rating (Cor)	56,000
Max. shaft corner radius, or 45 deg. chamfer (ch1)	0.300
Max. housing corner radius, or 45 deg. chamfer (ch)	0.300
Spherical Diameter (dk or Dk)	25.000
Mis-alignment Angle (a deg.)	10
Weight (g)	40.00
Material - Outer Ring - Carbon steel, Inner ring	52100 Chrome steel, or equivalent

GE17C Bearing 2D drawings and 3D CAD models