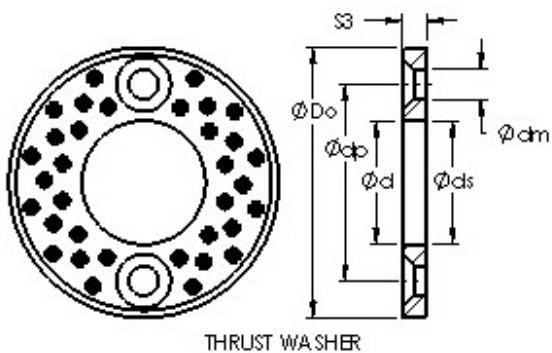




NTN-SNR RULMENTI S.R.L.



AST AST650 WC12 plain bearings

Bearing No. AST650 WC12

Bore Diameter	12 mm
Outer Diameter	40 mm
Bearing Type	thrust washer
Shaft Dia., Nominal (d)	12.0000
Bearing Outside Diameter, Nominal (Do)	40.000
Washer Inside Diameter, Nominal (di)	12
Washer Outside Diameter, Nominal (Do)	40
Washer Thickness, Nominal (S)	3
Washer Thickness Tolerance (S3 tol.) - +0 / -0.1	+0 / 0.1
Mounting Hole Dia. (dm)	3.500
Mounting Hole Pitch Dia. (dp)	28
Material	Cast bronze with solid lubricant inserts.

AST650 WC12 Bearing 2D drawings and 3D CAD models