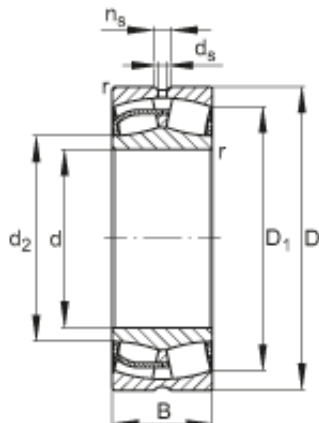




## NTN-SNR RULMENTI S.R.L.



220 mm x 400 mm x 108 mm FAG 22244-E1  
spherical roller bearings

Bearing No. 22244-E1

22244-E1 Bearing 2D drawings and 3D CAD models

Size	220x400x108 mm
Bore Diameter	220 mm
Outer Diameter	400 mm
Width	108 mm
d	220 mm
D	400 mm
B	108 mm
D <sub>1</sub>	346,6 mm
D <sub>a max</sub>	383 mm
d <sub>2</sub>	260,1 mm
d <sub>a min</sub>	237 mm
d <sub>s</sub>	9,5 mm
n <sub>s</sub>	17,7 mm
r <sub>a max</sub>	3 mm
r <sub>min</sub>	4 mm
m	59,6 kg / Weight
C <sub>r</sub>	1840000 N / Dynamic load rating (radial)
e	0,26
Y <sub>1</sub>	2,57
Y <sub>2</sub>	3,83
C <sub>0r</sub>	2360000 N / Static load rating (radial)
Y <sub>0</sub>	2,52



## NTN-SNR RULMENTI S.R.L.

$n_G$	2140 1/min / Limiting speed
$n_B$	1360 1/min
$C_{ur}$	210000 N / Fatigue limit load, radial