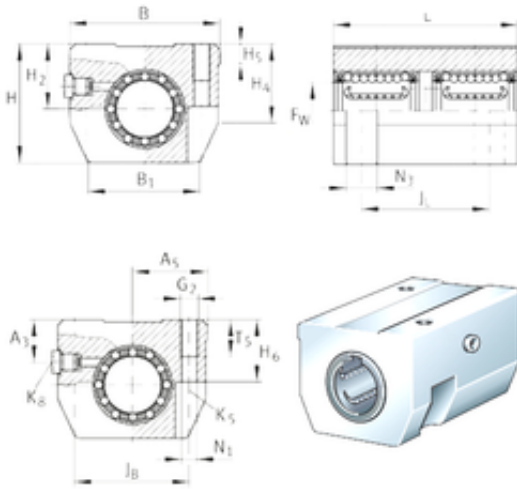




NTN-SNR RULMENTI S.R.L.

INA KTHK30-B-PP-AS bearing units

Bearing No. KTHK30-B-PP-AS



KTHK30-B-PP-AS Bearing 2D drawings and 3D CAD models

Bore Diameter	30 mm
Fw	30 mm
H4	42,7 mm
H5	8 mm
H6	29 mm
A5	33,5 mm
Thread (K)	M6
B	67 mm
B1	49,6 mm
H	60 mm
H2	30 mm
L	105 mm
N1	6,6 mm
T	18 mm
A3	18 mm
N2	15 mm
Thread (G2)	M8
JB	53 mm
JL	70 mm
Weight	0,85 Kg
Basic dynamic load rating (C)	5,4 kN