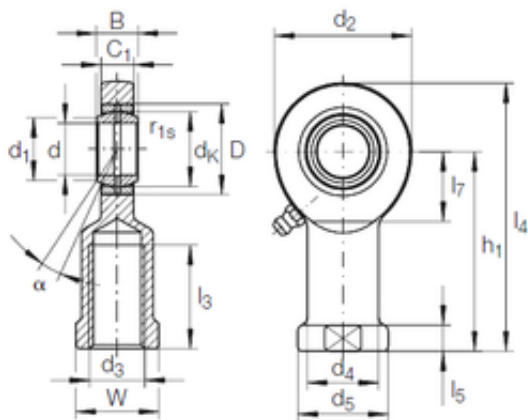




NTN-SNR RULMENTI S.R.L.

6 mm x 14 mm x 6 mm INA GIR 6 DO plain bearings

Bearing No. GIR 6 DO



GIR 6 DO Bearing 2D drawings and 3D CAD models

Size	6x14x6 mm
Bore Diameter	6 mm
Outer Diameter	14 mm
Width	6 mm
d	6 mm
D	14 mm
B	6 mm
d1	8 mm
d2	21 mm
d4	10 mm
dk	10 mm
h1	30 mm
l3 min.	11 mm
l4 max.	40,5 mm
l5	5 mm
l7 min.	12 mm
r1 min.	0,3 mm
C1	4,4 mm
W	11 mm
Thread (G)	M6
Angle	13 °
d5	13 r/min
Weight	0,022 Kg
Basic dynamic load rating (C)	3,4 kN