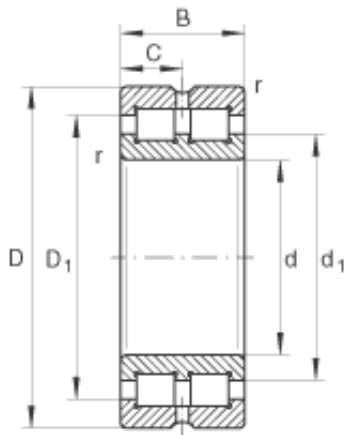




# NTN-SNR RULMENTI S.R.L.



180 mm x 225 mm x 45 mm INA SL014836  
cylindrical roller bearings

Bearing No. SL014836

SL014836 Bearing 2D drawings and 3D CAD models

Size	180x225x45 mm
Bore Diameter	180 mm
Outer Diameter	225 mm
Width	45 mm
d	180 mm
D	225 mm
B	45 mm
C	22,5 mm
D <sub>1</sub>	209,8 mm
d <sub>1</sub>	199,1 mm
r <sub>min</sub>	1,1 mm
	NNC4836V / Designation to DIN 5412
m	4,3 kg / Weight
C <sub>r</sub>	270000 N / Dynamic load rating (radial)
C <sub>0r</sub>	640000 N / Static load rating (radial)
C <sub>ur</sub>	72000 N / Fatigue limit load, radial
n <sub>G</sub>	1560 1/min / Limiting speed
Category	Cylindrical Roller Bearings
Inventory	0.0
Manufacturer Name	SCHAEFFLER GROUP
Minimum Buy Quantity	N/A
Weight / Kilogram	5.149



## NTN-SNR RULMENTI S.R.L.

Product Group	B04144
Bore Profile	Straight
Cage Material	None
Precision Class	RBEC 1   ISO P0
Number of Rows of Rollers	Double Row
Separable	No
Rolling Element	Cylindrical Roller Bearing
Profile	Complete with Outer and Inner Ring
Snap Ring	No
Internal Clearance	C0-Medium
Retainer	No
Relubricatable	Yes
Inch - Metric	Metric
Other Features	Full Complement   3 Rib Inner Ring   2 Rib Outer Ring   Operating Temperature From -30 to 120 Deg
Long Description	180MM Bore; Straight Bore Profile; 225MM Outside Diameter; 45MM Width; RBEC 1   ISO P0; Double Row; Not Separable; No Snap Ring; Relubricatable; C0-Medium Internal Clearance; No Retainer
Category	Cylindrical Roller Bearing
UNSPSC	31171547
Harmonized Tariff Code	8482.50.00.00
Noun	Bearing
Manufacturer URL	<a href="http://www.ina.com">http://www.ina.com</a>
Manufacturer Item Number	SL014836
Weight / LBS	11.352
Bore	7.087 Inch   180 Millimeter
Outside Diameter	8.858 Inch   225 Millimeter



## NTN-SNR RULMENTI S.R.L.

Width	1.772 Inch   45 Millimeter
-------	----------------------------