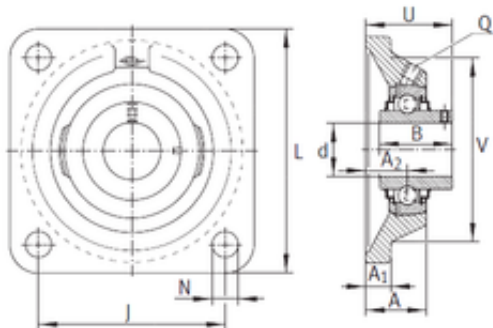




**INA RCJY40-JIS bearing units**



Bearing No. RCJY40-JIS

Bore Diameter	40 mm
d	40 mm
U	51,2 mm
Thread (Q)	M6
A	36 mm
A1	16 mm
B	49,2 mm
J	102 mm
L	130 mm
N	16 mm
A2	21 mm
Weight	1,91 Kg
Basic dynamic load rating (C)	32,5 kN

RCJY40-JIS Bearing 2D drawings and 3D CAD models