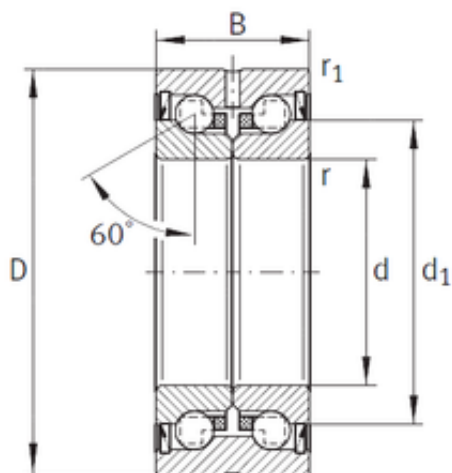




NTN-SNR RULMENTI S.R.L.



17 mm x 47 mm x 25 mm INA ZKLN1747-2RS-PE thrust ball bearings

Bearing No. ZKLN1747-2RS-PE

Size	17x47x25 mm
Bore Diameter	17 mm
Outer Diameter	47 mm
Width	25 mm
d	17 mm
D	47 mm
B	25 mm
C	25 mm
Angle (?)	60 °
d1	30 mm
r min.	0,3 mm
r1 min.	0,6 mm
Weight	0,22 Kg
Basic dynamic load rating (C)	18 800 kN
Basic static load rating (C0)	31 000 kN

ZKLN1747-2RS-PE Bearing 2D drawings and 3D CAD models