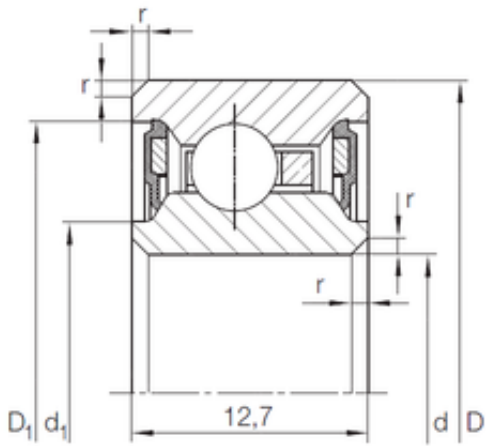




# NTN-SNR RULMENTI S.R.L.

152,4 mm x 171,45 mm x 12,7 mm INA CSCU  
060.2RS deep groove ball bearings

Bearing No. CSCU 060.2RS



CSCU 060.2RS Bearing 2D drawings and 3D CAD models

Size	152.4x171.45x12.7 mm
Bore Diameter	152,4 mm
Outer Diameter	171,45 mm
Width	12,7 mm
d	152,4 mm
D	171,45 mm
B	12,7 mm
C	12,7 mm
d1	156,2 mm
r min.	0,38 mm
D1	166,2 mm
Weight	0,37 Kg
Basic dynamic load rating (C)	8,9 kN
Basic static load rating (C0)	12,2 kN