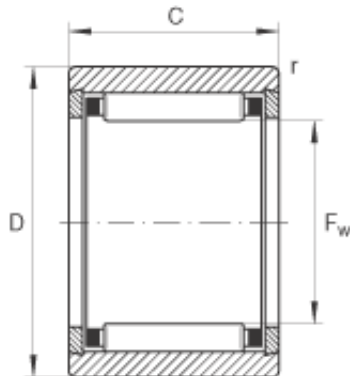




**INA NK5/12-TV needle roller bearings**



Bearing No. NK5/12-TV

NK5/12-TV Bearing 2D drawings and 3D CAD models

Size	5x10x12 mm
Bore Diameter	5 mm
Outer Diameter	10 mm
Width	12 mm
$F_w$	5 mm
D	10 mm
C	12 mm
$r_{min}$	0,15 mm
m	3,7 g / Weight
$C_r$	3400 N / Dynamic load rating (radial)
$C_{0r}$	2650 N / Static load rating (radial)
$C_{ur}$	435 N / Fatigue limit load, radial
$n_G$	39000 1/min / Limiting speed
$n_B$	42500 1/min / Reference speed
	/ With closing rings, without lubrication hole and without lubrication groove.
Category	Needle Non Thrust Roller Bearings
Inventory	0.0
Manufacturer Name	SCHAEFFLER GROUP
Minimum Buy Quantity	N/A
Weight / Kilogram	0.004



## NTN-SNR RULMENTI S.R.L.

Product Group	B04270
Rolling Element	Needle Roller Bearing
Component	Roller Assembly with Outer Ring - No Inner Ring
Enclosure	Open
Self Aligning	No
Retainer	Yes
Number of Rows of Rollers	Single Row
Separable	No
Closed End	No
Inch - Metric	Metric
Relubricatable	No
Thrust Bearing	No
Long Description	5MM Bore; 10MM Outside Diameter; 12MM Width; Needle Roller Bearing; Roller Assembly with Outer Ring - No Inner Ring; Open; Not Self Aligning; Retainer; Single Row of Rollers; Not Separable; Not Closed
Other Features	2 Rib Outer Ring   Radial Precision   Plastic Cage   Ground Raceway with Rib
Category	Needle Non Thrust Roller Bearing
UNSPSC	31171512
Harmonized Tariff Code	8482.99.65.30
Noun	Roller Assembly with Outer Ring
Keyword String	Bearing Needle
Manufacturer URL	<a href="http://www.ina.com">http://www.ina.com</a>
Manufacturer Item Number	NK5/12TN
Weight / LBS	0.008
Width	0.472 Inch   12 Millimeter



## NTN-SNR RULMENTI S.R.L.

Outside Diameter	0.394 Inch   10 Millimeter
Bore	0.197 Inch   5 Millimeter