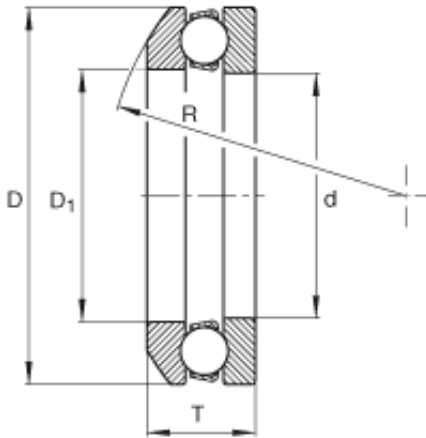




INA 56RT02 thrust ball bearings



Bearing No. 56RT02

Size	142.875x210.058x44.45 mm
Bore Diameter	142,875 mm
Outer Diameter	210,058 mm
Width	44,45 mm
d	5,625 inch
d	142,875 mm
D	8,27 inch
D	210,058 mm
T	1,75 inch
T	44,45 mm
D ₁	5,73 inch
D ₁	145,54 mm
m	5,733 lbs / Weight
m	2,6 kg / Weight
C _a	135000 lbf / Dynamic load rating (axial)
C _a	600000 N / Dynamic load rating (axial)
C _{0a}	467600 lbf / Static load rating (axial)
C _{0a}	2080000 N / Static load rating (axial)

56RT02 Bearing 2D drawings and 3D CAD models